



**KKB**  
**ENGINEERING BERHAD**  
(26495-D)

# **KKB W-BEAM GUARDRAIL**

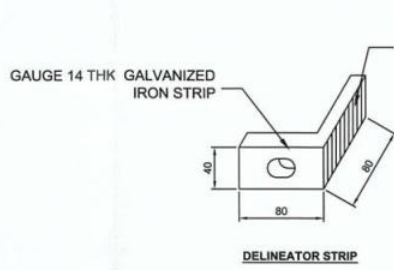
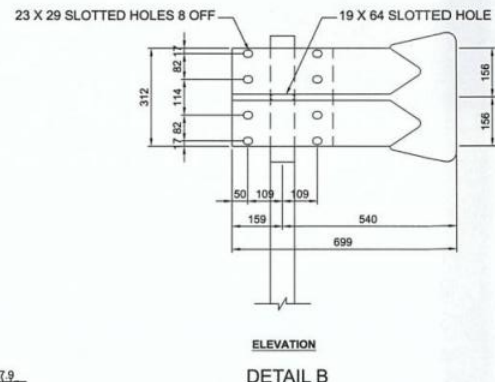
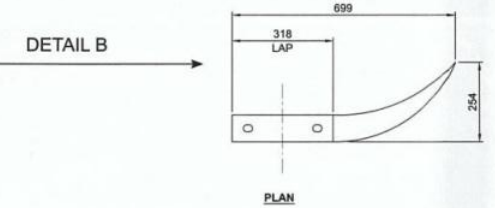
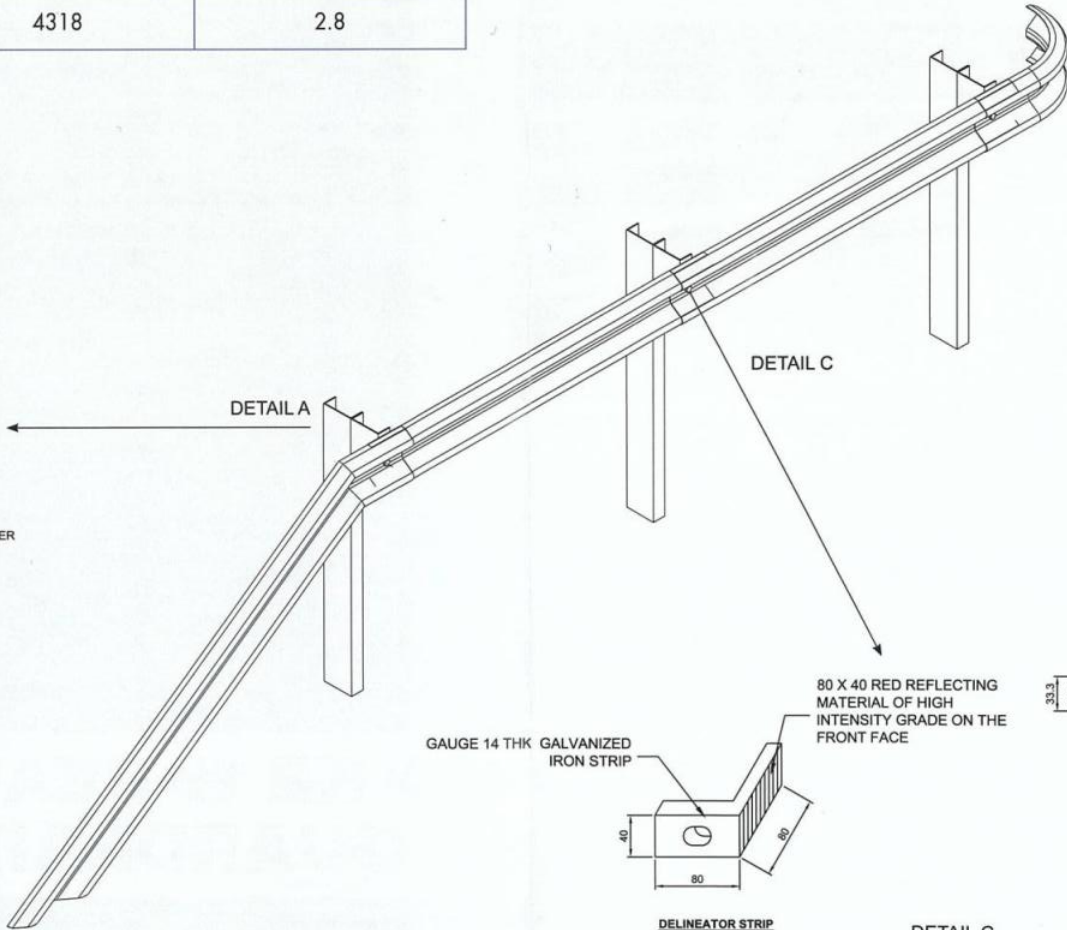
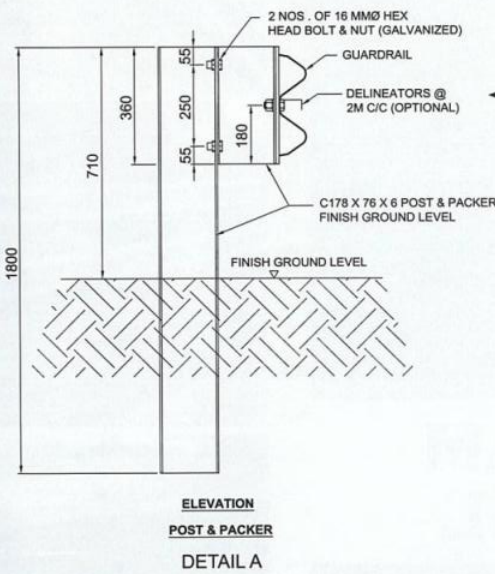
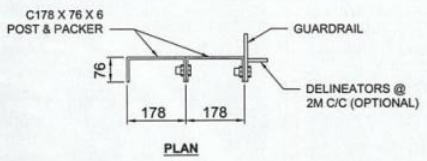
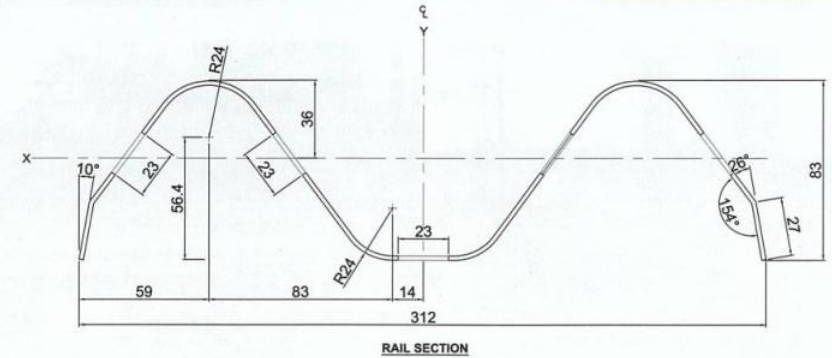


# KKB W-BEAM GUARDRAIL

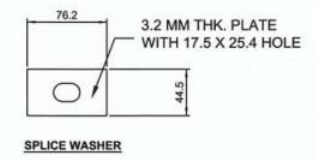
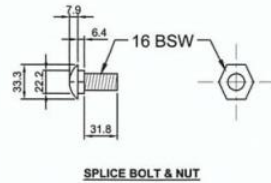
## SPECIFICATION & TECHNICAL DATA

AS PER AMERICAN ASSOCIATION OF STATE HIGHWAY AND TRANSPORTATION OFFICIALS (AASHTO), CLASS A, TYPE 2

TYPE	EFFECTIVE LENGTH (MM)	OVERALL LENGTH (MM)	NOMINAL BASED METAL THICKNESS (MM)
KKB-G1	3810	4126	2.8
KKB-G2	4000	4318	2.8



80 X 40 RED REFLECTING MATERIAL OF HIGH INTENSITY GRADE ON THE FRONT FACE



Note: The diagrams are not to scale and the contents herein are for information only and may be subject to change. KKB Engineering Berhad and its Group of Companies shall not held responsible for any misrepresentations stated herein.



### Other Products & Services:

1. Steel Fabrication (ISO 9001 : 2015 & ISO 45001 : 2018 Certified)
2. Hot-Dip Galvanizing (ISO 9001 : 2015 & ISO 45001 : 2018 Certified)
3. Steel Pipes Manufacturing (ISO 9001 : 2015 Certified)
4. LPG Cylinders Manufacturing (ISO 9001 : 2015 & ISO 45001 : 2018 Certified)
5. Civil Construction (ISO 9001 : 2015 & ISO 45001 : 2018 Certified)
6. uPVC Roofing Sheets Manufacturing



### **KKB ENGINEERING BERHAD** (26495-D)

Lot 865, Section 66, Jalan Kilang, Bintawa Industrial Estate,  
93450 Kuching, Sarawak, Malaysia.

**Tel:** (6) 082-333 877 **Fax:** (6) 082-331 152

**E-Mail:** [kkbeb@kkbeb.com.my](mailto:kkbeb@kkbeb.com.my) **Website:** [www.kkbeb.com.my](http://www.kkbeb.com.my)